

# COFFEA® "X-DUO"

www.coffea.ca

1-877-341-2233

## The world's ONLY limitless Vacuum Extraction Brewer

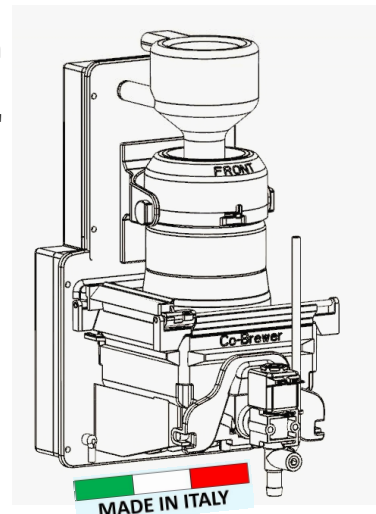
" Only limitless vacuum extraction precisely controls ALL the variables & ONLY Coffea® does this with the push of a button"



### Features:

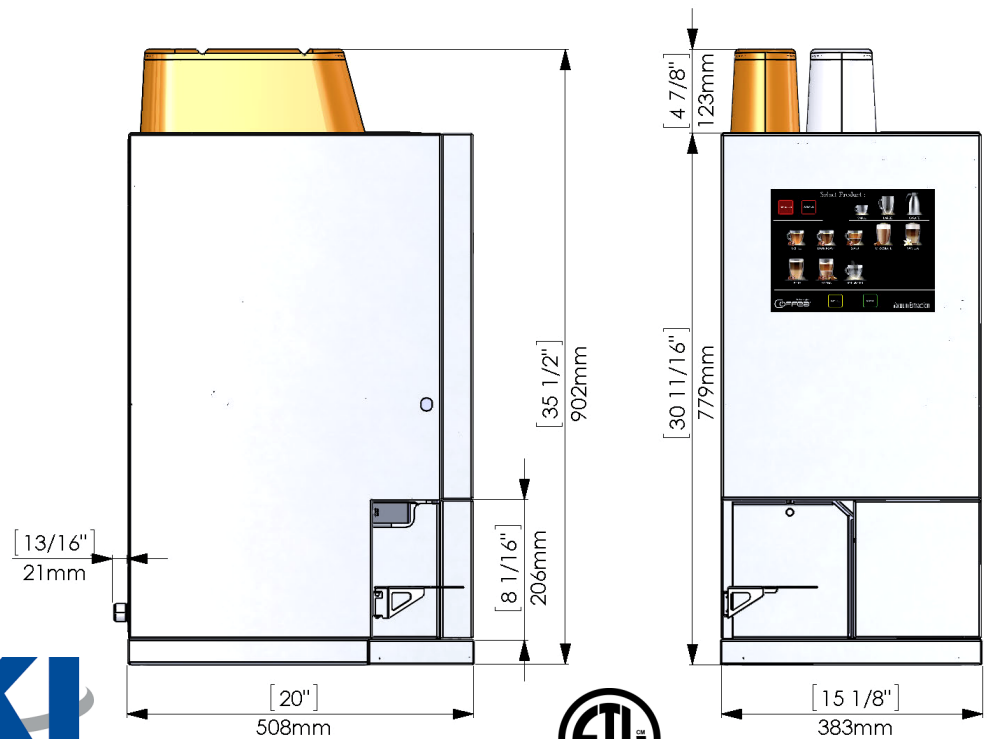
- Fresh brew from "Bean to Cup" & "Leaf to Cup"
- Patented Vacuum Brewing System
- Two Co-Brewers inside/no cross-contamination
- Cost Efficient; "Getting only the best in the Cup"
- Brew Tea & Coffee in a single cup from 4-24oz or brew any size carafe up to 64 oz
- Co-Brewer—new paperless brewing system
- Intuitive 10.4" touch screen interface - able to load personalised video, settings and counters.
- Simple to operate, easy to maintain...

### Co-Brewer 2.0



### Technical Data:

- Dimensions; (H x W x D): 36" x 15" x 20"
- Clearance required on top 4"
- Weight 75 lbs
- 1 x 5 lb whole bean containers
- 1 x 5 lb tea leaf containers
- Electrical; Standard 120V/15A outlet
- Power Cord Length 6 feet
- Plumbed water connection required
- Water filter suggested
- UL/CSA, ETL Intertek
- Windows based video interface,
- USB connections
- Stainless Steel Construction



# COFFEA® X-DUO

NEXT GENERATION OF COFFEE & TEA BREWERS



BEAN TO CUP  
& LEAF TO CUP

TWO INDEPENDENT CYCLES  
WITHOUT CROSS-CONTAMINATION

MADE OF 100% RECYCLED  
STAINLESS STEEL

WITH TWO NEW  
PAPERLESS  
CO-BREWERS  
INSIDE...



COFFEA.GROUP

718-473-2533

# COFFEA®

BEAN TO CUP & LEAF TO CUP

NEXT GENERATION  
COFFEA® 3.0  
VACUUM(SIPHON)  
BREWING  
SYSTEMS,  
FIRST TO

BREW BOTH...



COFFEA.GROUP 1-877-341-2233